



COMMERCIAL HEAVY-DUTY PLASTIC TOILET SEAT

MODEL #

COLOR #

95CT/95SSCT

DESCRIPTION:

Open front less cover, elongated, heavy-duty, injection molded solid plastic toilet seat. Features four molded-in bumpers, non self-sustaining (95CT) or self-sustaining (95SSCT) check hinges with non-corrosive 300 Series stainless steel posts and pintles and STA-TITE® Commercial Fastening System™. This seat complies with American National Standard Z124.5 Toilet (Water Closet) Seats as a class Commercial Heavy Duty.

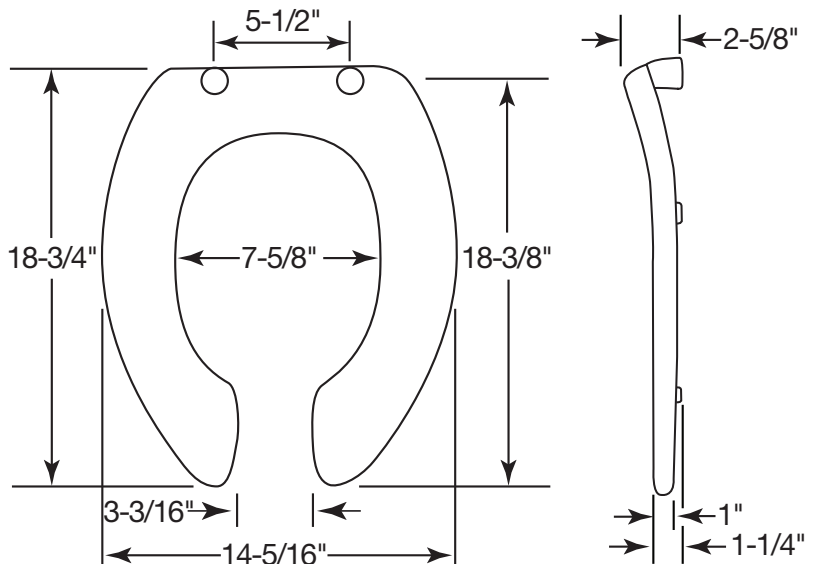
SPECIFICATIONS:

| | |
|-------------------|--|
| Size: | Elongated |
| Material: | Plastic |
| Style: | Open Front less Cover |
| Bumpers: | Four |
| Hinges: | Plastic Non Self-Sustaining (95CT) or Self-Sustaining (95SSCT) with 300 Series Stainless Steel Posts and Pintles |
| Fastening System: | STA-TITE® Commercial Fastening System™ |

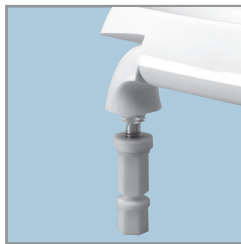
FEATURES:

- STA-TITE® Commercial Fastening System™
- Non-Corrosive 300 Series Stainless Steel Posts and Pintles

DIMENSIONS:



PLASTIC HINGES WITH
STAINLESS STEEL POSTS
AND PINTLES



STA-TITE® COMMERCIAL
FASTENING SYSTEM™

