



# HOSPITALITY HEAVY-DUTY PLASTIC TOILET SEAT

MODEL #

COLOR #

## 760T

### DESCRIPTION :

Closed front with cover, round, heavy-duty, injection molded solid plastic toilet seat. Features four molded-in bumpers, check hinges with non-corrosive 300 Series stainless steel posts and pintles and STA-TITE® Commercial Fastening System™. This seat complies with American National Standard Z124.5 Toilet (Water Closet) Seats as a class Commercial Heavy Duty.

### SPECIFICATIONS :

|                   |   |
|-------------------|---|
| Size:             | Round   |
| Material:         | Plastic   |
| Style:            | Closed Front with Cover                                   |
| Bumpers:          | Four  |
| Hinges:           | Plastic with 300 Series Stainless Steel Posts and Pintles |
| Fastening System: | STA-TITE® Commercial Fastening System™                    |

### FEATURES :

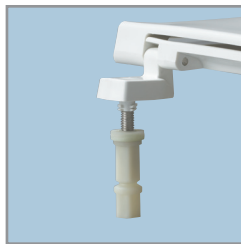
STA-TITE® Commercial Fastening System™

Non-Corrosive 300 Series Stainless Steel Posts and Pintles

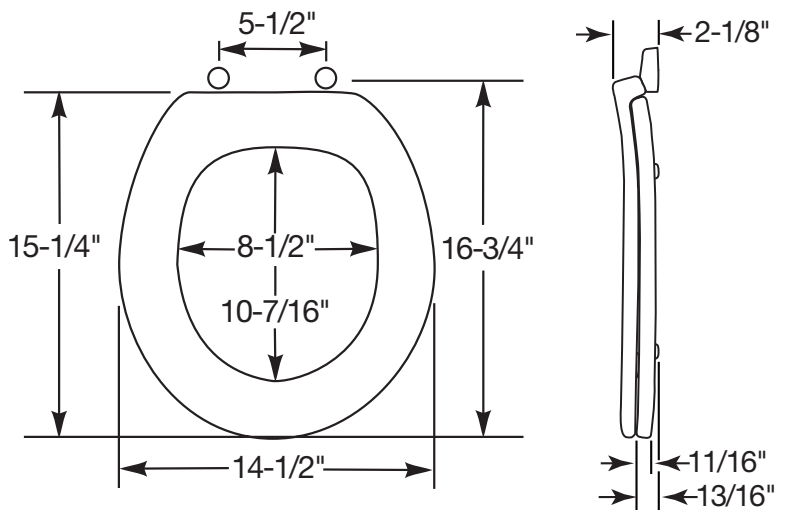
### DIMENSIONS :



PLASTIC HINGES WITH  
STAINLESS STEEL POSTS  
AND PINTLES



STA-TITE® COMMERCIAL  
FASTENING SYSTEM™



Bemis Manufacturing Co., Sheboygan Falls, WI 53085  
www.BemisSeats.com

Phone: 920-467-4621 | 800-558-7651 Fax: 920-467-8573

©2011 0B7012299  
REV A