



HOSPITALITY HEAVY-DUTY PLASTIC TOILET SEAT

MODEL #

COLOR #

7600TJ

DESCRIPTION:

Closed front with cover, elongated, heavy-duty, injection molded solid plastic toilet seat. Features four molded-in bumpers, JUST•LIFT® integrated check hinges with non-corrosive 300 Series stainless steel posts and pintles and STA-TITE® Commercial Fastening System™. This seat complies with American National Standard Z124.5 Toilet (Water Closet) Seats as a class Commercial Heavy Duty.

SPECIFICATIONS:

Size:	Elongated
Material:	Plastic
Style:	Closed Front with Cover
Bumpers:	Four
Hinges:	Plastic JUST•LIFT® with 300 Series Stainless Steel Posts and Pintles
Fastening System:	STA-TITE® Commercial Fastening System™

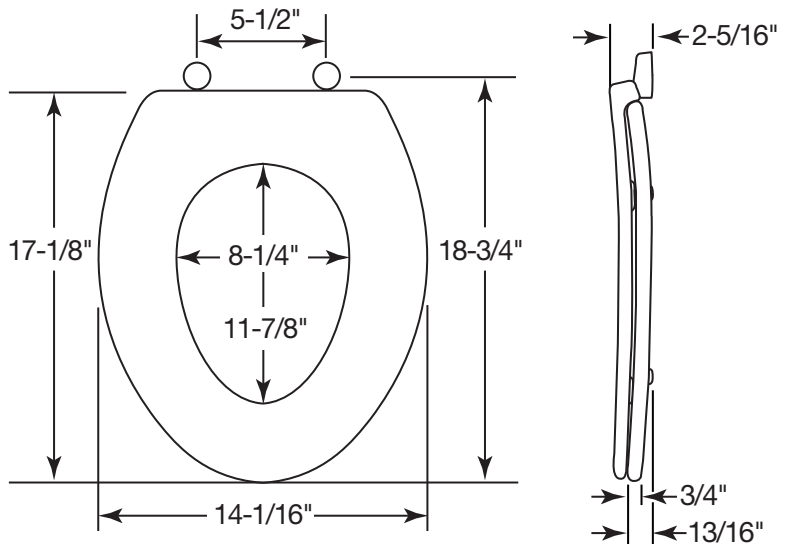
FEATURES:

JUST•LIFT® Integrated Hinges for Enhanced Cleanability

STA-TITE® Commercial Fastening System™

Non-Corrosive 300 Series Stainless Steel Posts and Pintles

DIMENSIONS:



PLASTIC HINGES WITH
STAINLESS STEEL POSTS
AND PINTLES



STA-TITE® COMMERCIAL
FASTENING SYSTEM™



JUST•LIFT® PROVIDES
1-1/2" OF LIFT HEIGHT FOR
ENHANCED CLEANABILITY

