



# RESIDENTIAL HIGH DENSITY™ TOILET SEAT



MODEL #

COLOR #

**652CHSL/NISL**

## DESCRIPTION:

Closed front with cover, round, high density™ molded wood toilet seat. Features two large, no-slip luxury bumpers, Chrome or Brushed Nickel Whisper•Close® hinges with STA-TITE® Residential Fastening System™. Seat contains DuraGuard® Antimicrobial Built-In Seat Protection™.

## SPECIFICATIONS:

Size:	Round
Material:	High Density™ Molded Wood
Style:	Closed Front with Cover
Bumpers:	Two
Hinges:	Chrome or Brushed Nickel Whisper•Close®
Fastening System:	STA-TITE® Residential Fastening System™

## FEATURES:

Whisper•Close®

STA-TITE® Residential Fastening System™

DuraGuard® Antimicrobial Built-In Seat Protection™



METAL WHISPER•CLOSE®  
HINGES



WHISPER•CLOSE®  
FEATURE

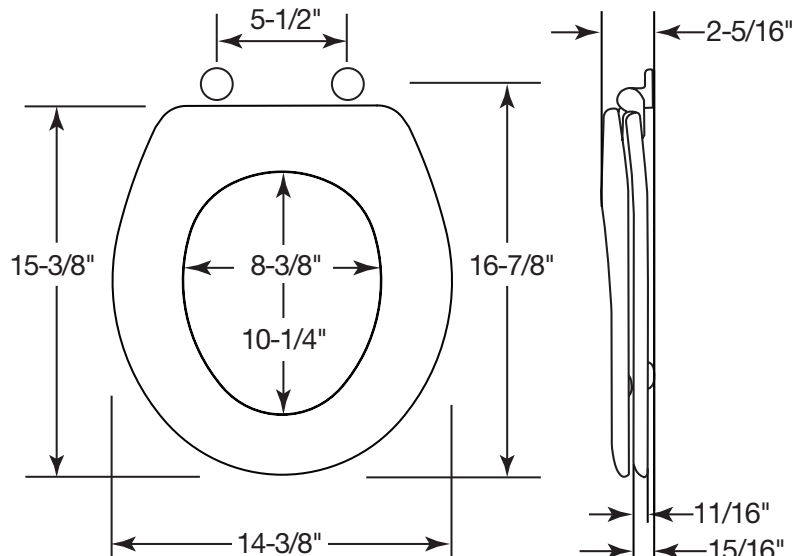


NO-SLIP LUXURY BUMPERS



STA-TITE® RESIDENTIAL  
FASTENING SYSTEM™

## DIMENSIONS:



Proudly Made in the USA

Bemis Manufacturing Co., Sheboygan Falls, WI 53085  
www.BemisSeats.com

Phone: 920-467-4621 | 800-558-7651 Fax: 920-467-8573  
©2010 0B7012257

REV A