



# RESIDENTIAL MOLDED WOOD TOILET SEAT



MODEL #

COLOR #

**544BR/OR**

### DESCRIPTION:

Closed front with cover, round, molded wood, multi-coat enamel finish toilet seat. Features two color-matched bumpers, non-tarnish Brass or Oil-Rubbed Bronze hinges with zinc-plated steel posts and plastic nuts.

### SPECIFICATIONS:

Size:	Round
Material:	Molded Wood
Style:	Closed Front with Cover
Bumpers:	Two
Hinges:	Non-Tarnish Brass or Oil-Rubbed Bronze
Fastening System:	Zinc-Plated Steel Posts and Plastic Nuts

### FEATURES:

Non-Tarnish Brass or Oil-Rubbed Bronze Hinges

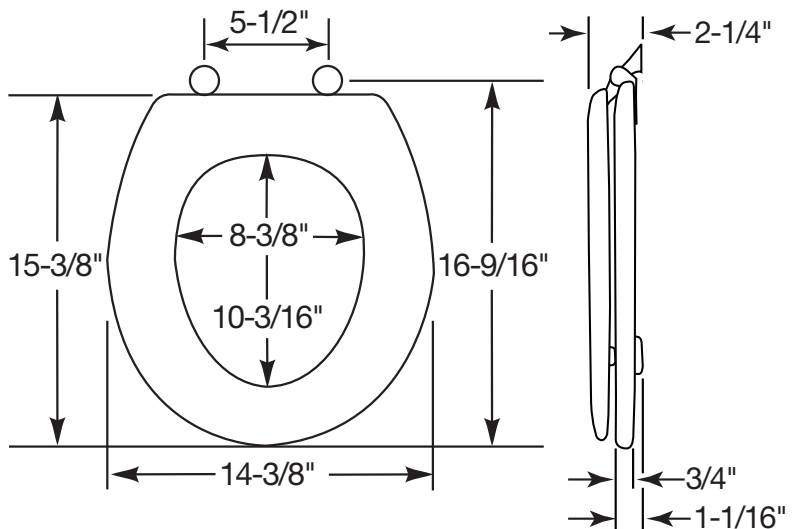


BRASS OR OIL-RUBBED  
BRONZE HINGES



ZINC-PLATED STEEL POSTS

### DIMENSIONS:



Proudly Made in the USA

Bemis Manufacturing Co., Sheboygan Falls, WI 53085  
www.BemisSeats.com

Phone: 920-467-4621 | 800-558-7651 Fax: 920-467-8573  
©2010 0B7012266