



COMMERCIAL THERMOSET SEATS

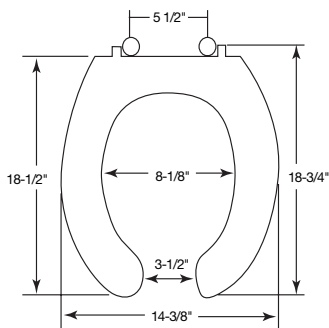


495SSC

Seats shall be No. 495SSC as manufactured by Bemis Manufacturing Co. Seats shall be extra heavy weight and made of thermoset fireproof material. Seats shall be open front less cover for elongated bowl and feature large molded-in bumpers. Self-sustaining and external check hinge to feature 300 Series stainless steel posts that holds seat in any raised position up to 11° beyond vertical. Color to be _____ . (specify white or fixture manufacturer's color)



F I R E P R O O F



Ring thickness is 3/4"
Ring thickness including the bumper is 1"
Height of the seat is 1-1/2"



SELF-SUSTAINING AND EXTERNAL CHECK HINGES WITH 300 SERIES STAINLESS STEEL POSTS



EXTERNAL CHECK HINGE



**** ANSI Z124.5 section 5.1.2 Tests have shown that this product will support weights up to 500 pounds.****
(Contact Bemis Mfg. Co., for test data)