



COMMERCIAL PLASTIC SEATS



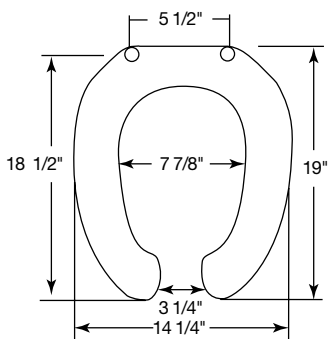
2155C

Seats shall be No. _____ as manufactured by Bemis Manufacturing Co. Seats shall contain DuraGuard®, an antimicrobial agent. Seats shall be heavy weight and injection molded of solid plastic. Seats shall be open front less cover for elongated bowl and feature large molded-in bumpers. External check hinges to feature 300 Series stainless steel posts that stop seat 11 degrees beyond vertical. Uses 300 Series stainless steel hardware. Color to be white. Hinges shall be _____.

2155C External check hinge stops seat 11° beyond vertical.

2155SSC Stainless steel, self-sustaining and external check hinge holds seat in any raised position up to 11° beyond vertical.

2155SR Self-rising hinge.



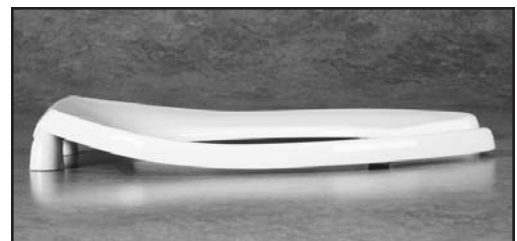
Ring thickness is 13/16"
Ring thickness including the bumper is 1"



EXTERNAL CHECK HINGES WITH 300 SERIES STAINLESS STEEL POST



EXTERNAL CHECK HINGE



2155C PROFILE