

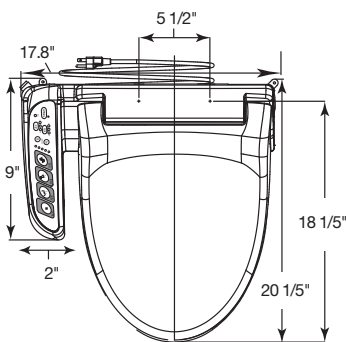


R E S I D E N T I A L P L A S T I C S E A T S



2000
Purité™

This Personal Cleansing Spa™ shall be No. 2000 as manufactured by Bemis Manufacturing Co. Seat housing and control panel shall be heavy weight and injection molded of solid plastic. The seat shall contain an antimicrobial agent. The seat shall be elongated closed front with cover and feature an ergonomically designed seat for maximum comfort. The hinge will incorporate a Whisper•Close™ feature for easy and quiet return of the ring and cover to normal position. The Personal Cleansing Spa features include female and family cleansing, along with a water temperature control, a water pressure control, and a stop button. This seat is equipped with an activation device for safety which prevents the operation of the controls without sitting on the seat. Color to be _____. (specify white or manufacturer's color)



Ring thickness is 1-1/4"
Ring thickness including the bumper is 1-3/4"
Height of the seat with cover is - Front 2-3/4", Rear 6-1/2"



FEMALE WASH



FAMILY WASH



SILENT WHISPER•CLOSE™
FEATURE

