



RESIDENTIAL MOLDED WOOD TOILET SEAT

MODEL #

COLOR #

1960PCH

DESCRIPTION:

Closed front with cover, elongated, molded wood, multi-coat enamel finish toilet seat. Features two color-matched bumpers, bar style hinge with Chrome or White hinge caps for a retro look, non-corrosive Hex-Tite™ bolts and wing nuts.

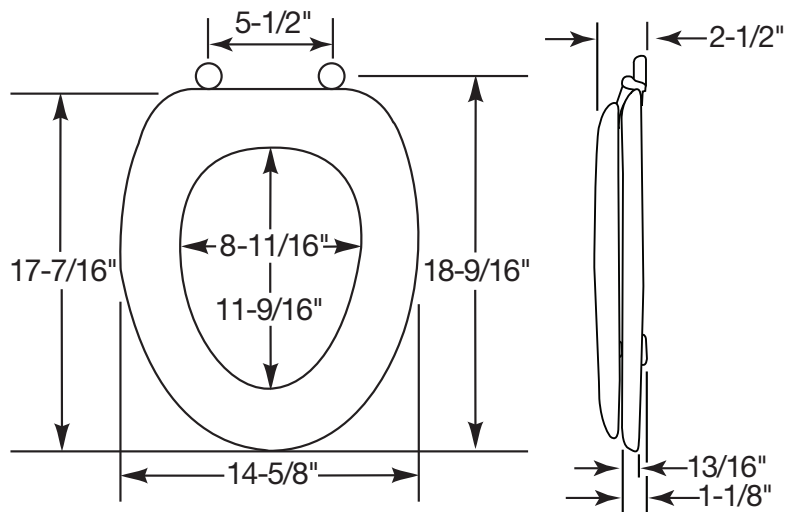
SPECIFICATIONS:

Size:	Elongated
Material:	Molded Wood
Style:	Closed Front with Cover
Bumpers:	Two
Hinge:	Chrome Bar
Fastening System:	Non-Corrosive Hex-Tite™ Bolts and Wing Nuts

FEATURES:

- Retro Look, Chrome Bar Hinge with Chrome or White Caps
- Non-Corrosive Hex-Tite™ Bolts and Wing Nuts

DIMENSIONS:



CHROME HINGE CAPS



WHITE HINGE CAPS

