



COMMERCIAL PLASTIC TOILET SEAT

MODEL #

COLOR #

1900CCP

DESCRIPTION:

Closed front with cover, elongated, injection molded solid plastic toilet seat made to fit Case toilets. Features four molded-in bumpers, chrome-plated brass hinges with non-corrosive 300 Series stainless steel pintles and hardware on 7" centers that bolt back through the tank.

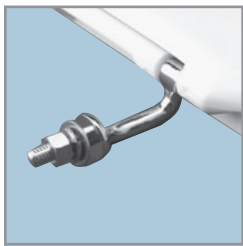
SPECIFICATIONS:

Size:	Elongated
Material:	Plastic
Style:	Closed Front with Cover
Bumpers:	Four
Hinges:	Chrome-Plated Brass
Fastening System:	Non-Corrosive 300 Series Stainless Steel Hardware

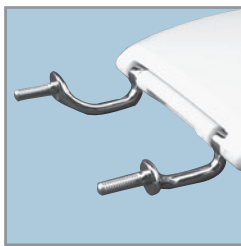
FEATURES:

Fits Case 1100

Non-Corrosive 300 Series Stainless Steel Hardware

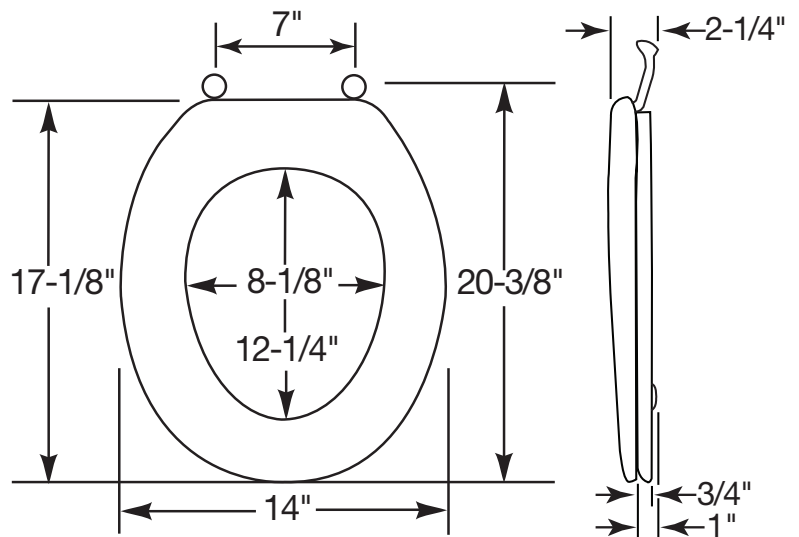


CHROME-PLATED
BRASS HINGES



7" CENTERS BOLT INTO
TANK ADAPTED FOR THE
CASE 1100

DIMENSIONS:



Bemis Manufacturing Co., Sheboygan Falls, WI 53085
www.BemisSeats.com

Phone: 920-467-4621 | 800-558-7651 Fax: 920-467-8573