



COMMERCIAL HEAVY-DUTY PLASTIC TOILET SEAT

MODEL #

COLOR #

1850TT

DESCRIPTION:

Open front with cover, elongated, heavy-duty injection molded solid plastic toilet seat. Features four molded-in bumpers, color-matched Top-Tite® hinges with non-corrosive, top-tightening Hex-Tite™ bolts and wing nuts. This seat complies with American National Standard Z124.5 Toilet (Water Closet) Seats as a class Commercial Heavy Duty.

SPECIFICATIONS:

Size:	Elongated
Material:	Plastic
Style:	Open Front with Cover
Bumpers:	Four
Hinges:	Plastic Top-Tite®
Fastening System:	Non-Corrosive Hex-Tite™ Bolts and Wing Nuts

FEATURES:

Top-Tite® Hinges

Non-Corrosive Hex-Tite™ Bolts and Wing Nuts

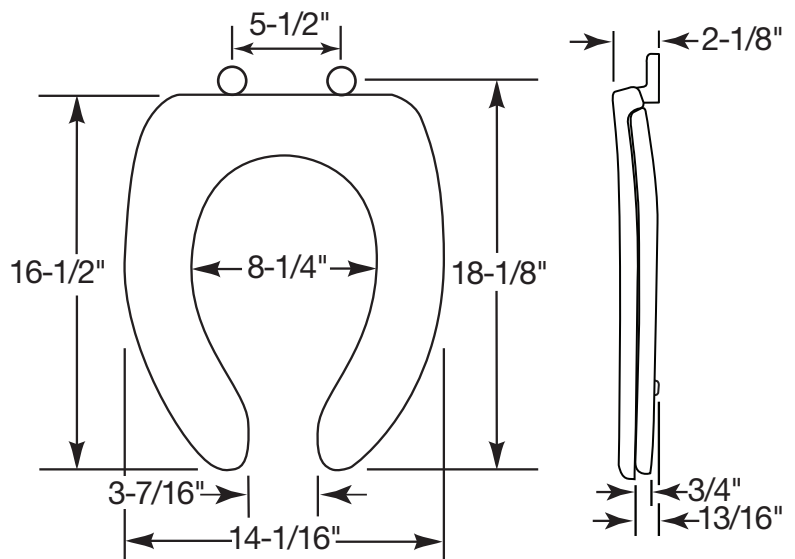


TOP-TITE® HINGES



NON-CORROSIVE BOLTS
AND WING NUTS

DIMENSIONS:



Proudly Made in the USA

Bemis Manufacturing Co., Sheboygan Falls, WI 53085
www.BemisSeats.com

Phone: 920-467-4621 | 800-558-7651 Fax: 920-467-8573
©2010 0B7012289