



# COMMERCIAL HEAVY-DUTY PLASTIC TOILET SEAT

MODEL #

COLOR #

## 10CT/10SSCT

### DESCRIPTION:

Open front less cover, elongated, heavy-duty, injection molded solid plastic toilet seat. Features four molded-in bumpers, non self-sustaining (10CT) or self-sustaining (10SSCT) check hinges with non-corrosive 300 Series stainless steel posts and pintles and STA-TITE® Commercial Fastening System™. This seat complies with American National Standard Z124.5 Toilet (Water Closet) Seats as a class Commercial Heavy Duty.

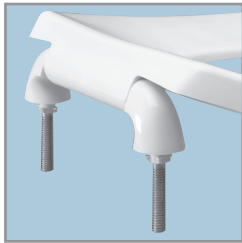
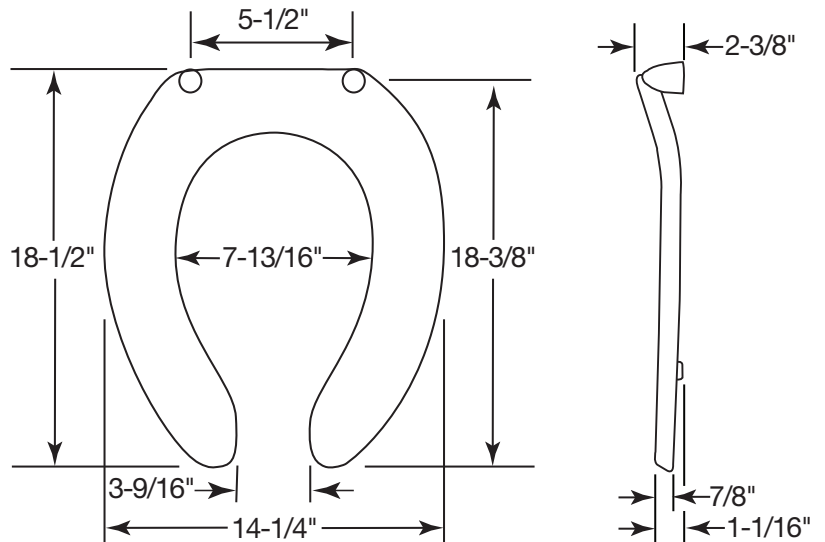
### SPECIFICATIONS:

Size:	Elongated
Material:	Plastic
Style:	Open Front less Cover
Bumpers:	Four
Hinges:	Non-Self Sustaining (10CT) with 300 Series Stainless Steel Posts and Pintles or Plastic Self-Sustaining (10SSCT)
Fastening System:	STA-TITE® Commercial Fastening System™

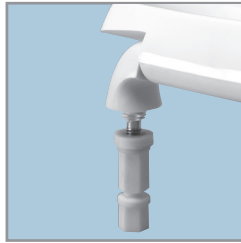
### FEATURES:

- STA-TITE® Commercial Fastening System™
- Non-Corrosive 300 Series Stainless Steel Posts and Pintles

### DIMENSIONS:



PLASTIC HINGES WITH  
STAINLESS STEEL POSTS  
AND PINTLES



STA-TITE® COMMERCIAL  
FASTENING SYSTEM™



Olsonite, Sheboygan Falls, WI 53085  
www.ToiletSeats.com

Phone: 920-467-4621 | 800-558-7651 Fax: 920-467-8573

©2013 OB7012308 REVA